

ENW89814C2MF

Bluetooth QD ID: B014999 (BT V2.1 +EDR)

Bluetooth QD ID: B014940 (BT V2.0 +EDR)

Bluetooth QD ID: B014936 (BT V1.2)

PAN1310-HCI-BT2.1

Infineon's
BlueMoonUniversal Platform

Wireless Modules

Product Overview

Revision 1.2, 2009-04-15

Panasonic
ideas for life

Edition 2009-04-15

**Published by
Panasonic Electronic Devices Europe GmbH
Zeppelinstrasse 19
D-21337 Lüneburg, Germany**

**© 2009 Panasonic Electronic Devices Europe GmbH
All Rights Reserved.**

Legal Disclaimer

The information given in this document shall in no event be regarded as a guarantee of conditions or characteristics. With respect to any examples or hints given herein, any typical values stated herein and/or any information regarding the application of the device, Infineon Technologies hereby disclaims any and all warranties and liabilities of any kind, including without limitation, warranties of non-infringement of intellectual property rights of any third party.

Information

For further information on technology, delivery terms and conditions and prices please contact your nearest Panasonic Office in Germany or one of our Distributor or write an e-mail to wireless@eu.panasonic.com.

Warnings

Due to technical requirements components may contain dangerous substances. For information on the types in question please contact your nearest Panasonic Office.

Panasonic Electronic Devices may only be used in life-support devices or systems with the express written approval of Panasonic Devices, if a failure of such components can reasonably be expected to cause the failure of that life-support device or system, or to affect the safety or effectiveness of that device or system. Life support devices or systems are intended to be implanted in the human body, or to support and/or maintain and sustain and/or protect human life. If they fail, it is reasonable to assume that the health of the user or other persons may be endangered.

CONFIDENTIAL

ENW89814C2MF 11/01 BlueMoon™ Universal Platform

CONFIDENTIAL

Revision History: 2009-04-15, Revision 1.2

Previous Version: 1.12

Page	Subjects (major changes since last revision)
Rev1.0	Initial version
Rev1.1	BMU 2.1 changes integrated into spec.
Rev1.11	Updated Trademarks.
Rev1.12	Schematics chapter updated and HCI+ command and event names standardized.
Rev1.2	New Pin Configuration graphic added. Cover pages updated.

Trademarks of Infineon Technologies AG

ABM™, BlueMoon™, CONVERGATE™, COSIC™, C166™, FALC™, GEMINAX™, GOLDMOS™, ISACT™, OMNITUNE™, OMNIVIA™, PROSOC™, SEROCCO™, SICOFI™, SIEGET™, SMARTi™, SMINT™, SOCRATES™, VINAX™, VINETIC™, VOIPRO™, X-GOLD™, XMM™, X-PMU™, XWAY™

Other Trademarks

Microsoft®, Visio®, Windows®, Windows Vista®, Visual Studio®, Win32® of Microsoft Corporation. Linux® of Linus Torvalds. FrameMaker®, Adobe® Reader™, Adobe Audition® of Adobe Systems Incorporated. APOXI®, COMNEON™ of Comneon GmbH & Co. OHG. PrimeCell®, RealView®, ARM®, ARM® Developer Suite™ (ADS), Multi-ICE™, ARM1176JZ-S™, CoreSight™, Embedded Trace Macrocell™ (ETM), Thumb®, ETM9™, AMBA™, ARM7™, ARM9™, ARM7TDMI-S™, ARM926EJ-S™ of ARM Limited. OakDSPCore®, TeakLite® DSP Core, OCEM® of ParthusCeva Inc. IndoorGPS™, GL-20000™, GL-LN-22™ of Global Locate. mipi™ of MIPI Alliance. CAT-iq™ of DECT Forum. MIPS™, MIPS II™, 24KEc™, MIPS32®, 24KEc™ of MIPS Technologies, Inc. Texas Instruments®, PowerPAD™, C62x™, C55x™, VLYNQ™, Telogy Software™, TMS320C62x™, Code Composer Studio™, SSI™ of Texas Instruments Incorporated. Bluetooth® of Bluetooth SIG, Inc. IrDA® of the Infrared Data Association. Java™, SunOS™, Solaris™ of Sun Microsystems, Inc. Philips®, I2C-Bus® of Koninklijke Philips Electronics N.V. Epson® of Seiko Epson Corporation. Seiko® of Kabushiki Kaisha Hattori Seiko Corporation. Panasonic® of Matsushita Electric Industrial Co., Ltd. Murata® of Murata Manufacturing Company. Taiyo Yuden™ of Taiyo Yuden Co., Ltd. TDK® of TDK Electronics Company, Ltd. Motorola® of Motorola, Inc. National Semiconductor®, MICROWIRE™ of National Semiconductor Corporation. IEEE® of The Institute of Electrical and Electronics Engineers, Inc. Samsung®, OneNAND®, UTRAM® of Samsung Corporation. Toshiba® of Toshiba Corporation. Dallas Semiconductor®, 1-Wire® of Dallas Semiconductor Corp. ISO® of the International Organization for Standardization. IEC™ of the International Engineering Consortium. EMV™ of EMVCo, LLC. Zetex® of Zetex Semiconductors. Microtec® of Microtec Research, Inc. Verilog® of Cadence Design Systems, Inc. ANSI® of the American National Standards Institute, Inc. WindRiver® and VxWorks® of Wind River Systems, Inc. Nucleus™ of Mentor Graphics Corporation. OmniVision® of OmniVision Technologies, Inc. Sharp® of Sharp Corporation. Symbian OS® of Symbian Software Ltd. Openwave® of Openwave Systems, Inc. Maxim® of Maxim Integrated Products, Inc. Spansion® of Spansion LLC. Micron®, CellularRAM® of Micron Technology, Inc. RFMD® of RF Micro Devices, Inc. EPCOS® of EPCOS AG. UNIX® of The Open Group. Tektronix® of Tektronix, Inc. Intel® of Intel Corporation. Qimonda® of Qimonda AG. 1GOneNAND® of Samsung Corporation. HyperTerminal® of Hilgraeve, Inc. MATLAB® of The MathWorks, Inc. Red Hat® of Red Hat, Inc. Palladium® of Cadence Design Systems, Inc. SIRIUS Satellite Radio® of SIRIUS Satellite Radio Inc. TOKO® of TOKO Inc.

The information in this document is subject to change without notice.

Last Trademarks Update 2008-11-17

Table of Contents

	Table of Contents	4
	List of Figures	6
	List of Tables	7
1	General Device Overview	8
1.1	Features	8
1.2	Block Diagram	9
1.3	Pin Configuration LGA	9
1.4	Pin Description	10
1.5	System Integration	12
1.6	FW version	13
2	Basic Operating Information	14
2.1	Power Supply	14
2.2	Clocking	14
3	Interfaces	15
3.1	HCI / UART Interface	15
3.1.1	Supported Transport Layers	15
3.1.2	UART	15
3.1.2.1	Baud Rates	15
3.2	PCM Interface	17
3.2.1	Overview	17
3.3	WLAN Coexistence Interface	19
4	General Device Capabilities	20
4.1	HCI+ and Bluetooth Device Data (BD_DATA)	20
4.2	Manufacturer Mode	20
4.3	Firmware ROM Patching	20
4.3.1	Patch Support	20
5	Bluetooth Capabilities	21
5.1	Supported Features	21
5.2	Not-supported Features	21
5.3	PAN1310-HCI Specifics and Extensions	21
5.3.1	During Connection	21
5.3.1.1	Scatternet and Piconet Capabilities	21
5.3.1.2	Role Switch	22
5.3.1.3	Dynamic Polling Strategy	22
5.3.1.4	Adaptive Frequency Hopping (AFH)	22
5.3.1.5	Channel Quality Driven Data Rate Change (CQDDR)	22
5.3.2	Synchronous Links	22
5.3.2.1	Interface	22
5.3.2.2	Voice Coding	24
5.3.3	RSSI and Output Power Control	24
5.3.3.1	Received Signal Strength Indication (RSSI)	24
5.3.3.2	Output Power Control	24
5.3.3.3	Ultra Low Transmit Power	24
6	Electrical Characteristics	25
6.1	Absolute Maximum Ratings	25
6.2	Operating Conditions	25

6.3	DC Characteristics	26
6.3.1	Pad Driver and Input Stages	26
6.3.2	Pull-ups and Pull-downs	28
6.3.3	Protection Circuits	28
6.3.4	System Power Consumption	29
6.4	AC Characteristics	29
6.4.1	Characteristics of 32.768 kHz Clock Signal	30
6.5	RF Part	30
6.5.1	Characteristics RF Part	30
6.5.1.1	Bluetooth Related Specifications	30
7	Package Information	34
7.1	Package Marking	34
7.2	Production Package	34
7.2.1	Pin Mark	35
	References	36
	Terminology	37

List of Figures

Figure 1	Simplified Block Diagram of PAN1310-HCI	9
Figure 2	Pin Configuration for PAN1310-HCI in Top View (footprint)	9
Figure 3	Example of a Bluetooth System	12
Figure 4	HCI/UART Interface	15
Figure 5	PCM_Signals_Overview	17
Figure 6	WLAN Coexistence Interface	19
Figure 7	Package Marking	34
Figure 8	Production Package	34
Figure 9	Top View and Bottom View	35

List of Tables

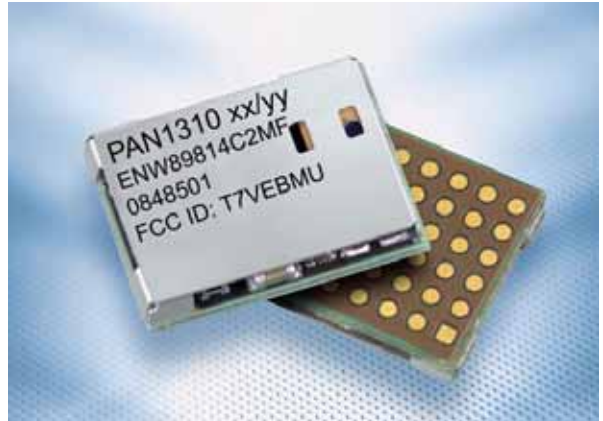
Table 1	Pin Description	10
Table 2	UART Baud Rates	15
Table 3	Supported Voice Settings	24
Table 4	Absolute Maximum Ratings	25
Table 5	Operating Conditions	25
Table 6	Internal1 (1.5 V) Supplied Pins	26
Table 7	Internal2 (2.5 V) Supplied Pins	26
Table 8	VDDUART Supplied Pins	26
Table 9	VDDPCM Supplied Pins	27
Table 10	ONOFF PIN	27
Table 11	Pull-up and Pull-down Currents	28
Table 12	Current Consumption in Different Operating Modes	29
Table 13	Max. Load at the Different Supply Voltages	29
Table 14	PCM Interface Timing	29
Table 15	Timing Characteristics of PCM Interface for the First Bit	30
Table 16	BDR - Transmitter Part	30
Table 17	BDR -Receiver Part	31
Table 18	EDR - Transmitter Part	32
Table 19	EDR -Receiver Part	33

1 General Device Overview

1.1 Features

General

- Complete Bluetooth 2.1 + EDR solution
 - Configurable for BT 1.2 and 2.0 + EDR
- Ultra low power design in 0.13 μm CMOS
- Temperature range from -40°C to 85°C
- Integrates ARM7TDMI, RAM and patchable ROM
- On-module voltage regulators. External supply 2.9 - 4.1 V
- On-module EEPROM with configuration data
- Reference clock included
- Low power clock from internal oscillator or external low power clock (e.g. 32.768 kHz)
- Dynamic low power mode switching



Interfaces

- 3.25 MBaud UART with transport layer detection (HCI UART, HCI Three-Wire UART)
- PCM/I2S interface for digital audio
- WLAN coexistence interface
- General purpose I/Os with interrupt capabilities. JTAG for boundary scan and debug

RF

- Transmit power programmable from -45 dBm to 4.5 dBm
- Transmit power typ. 2.5 dBm (default settings)
- Receiver sensitivity typ. -86 dBm
- Integrated antenna switch, balun and antenna filter
- Integrated LNA with excellent blocking and intermodulation performance
- No external components except antenna
- Digital demodulation for optimum sensitivity and co-/adjacent channel performance

Bluetooth

- Piconet with seven slaves. Scatternet with two slave roles while still being discoverable
- SCO and eSCO with hardware accelerated audio signal processing
- Audio error correction algorithm (PLC) improving speech quality
- Power control and RSSI. Hold and Sniff.
- Adaptive Frequency Hopping, Quality of Service, Channel Quality Driven Data Rate
- Bluetooth security features: Authentication, Pairing, Encryption and Secure Simple Pairing
- Bluetooth test mode
- Sniff Subrating for lower Sniff power consumption

1.2 Block Diagram

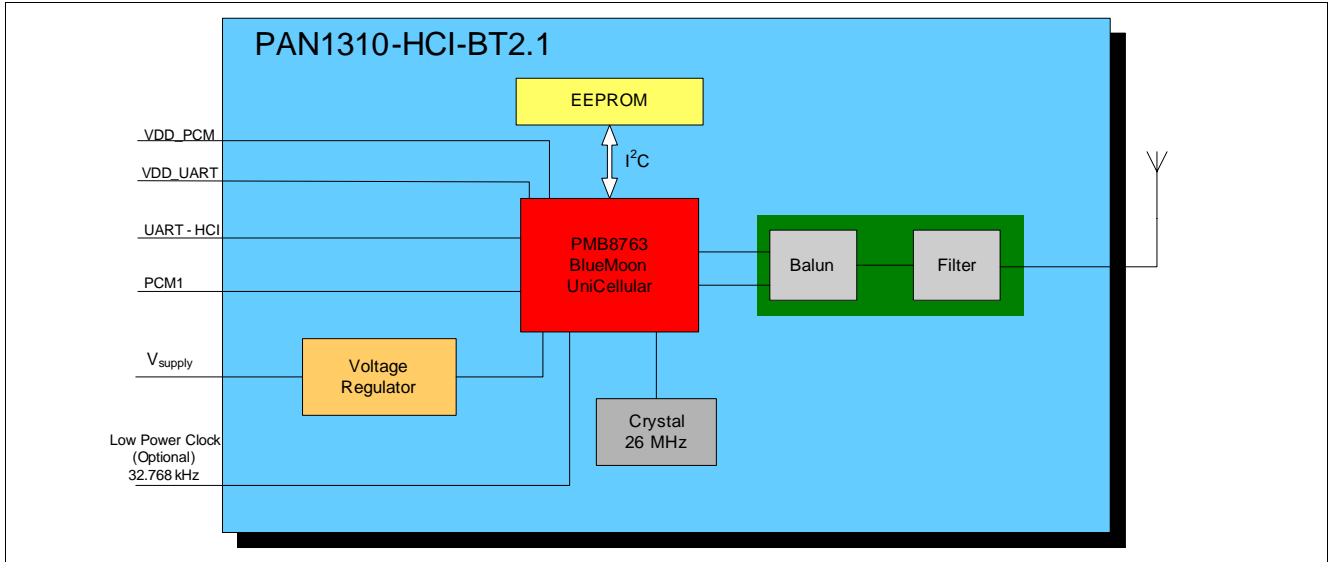


Figure 1 Simplified Block Diagram of PAN1310-HCI

1.3 Pin Configuration LGA

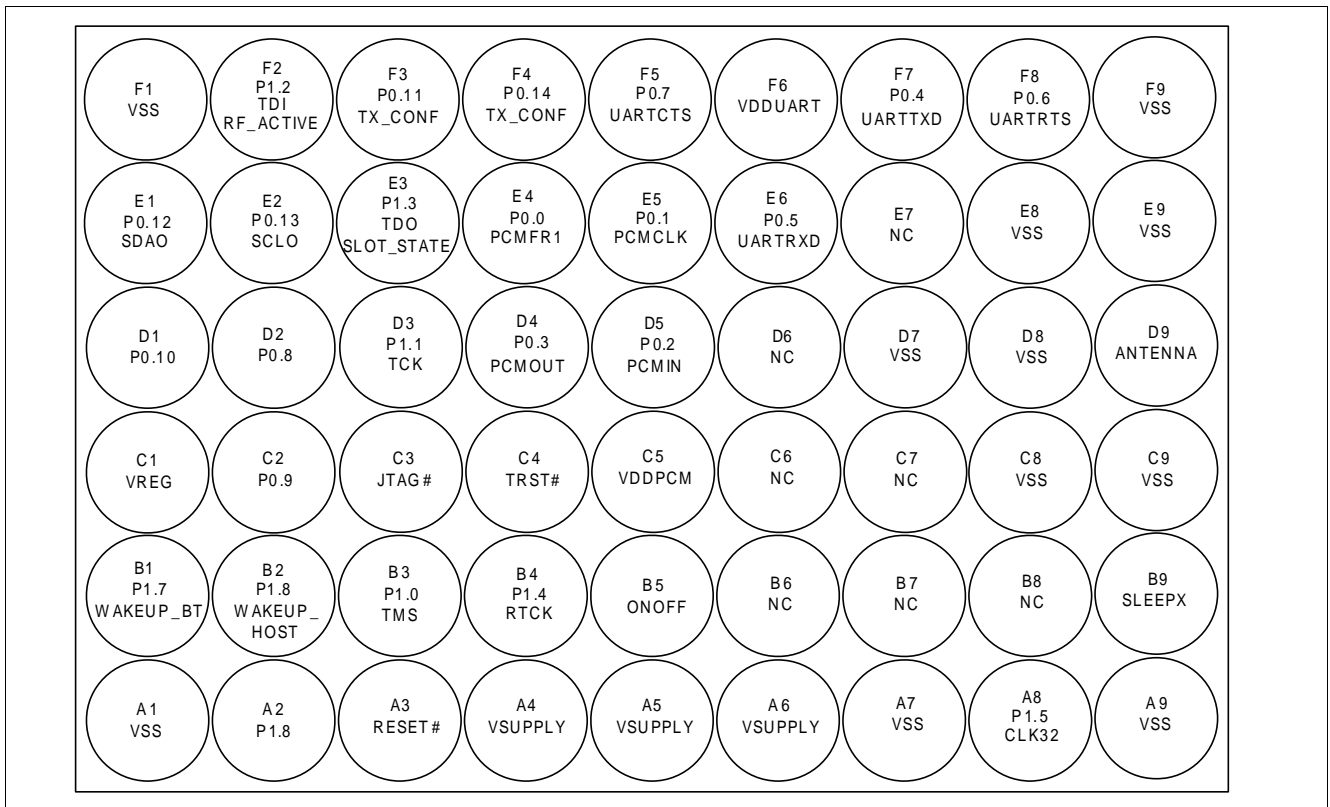


Figure 2 Pin Configuration for PAN1310-HCI in Top View (footprint)

1.4 Pin Description

The non-shaded cells indicate pins that will be fixed for the product lifetime. Shaded cells indicate that the pin might be removed/changed in future variants. All pins not listed below shall be not connected.

Table 1 Pin Description

Pin No.	Symbol	Input / Output	Supply Voltage	During Reset	After Reset	Function
A2	P1.6	I/O/OD	Internal1	Z	Z	Port 1.6
A3	RESET#	AI	Internal1	Input	Input	Hardware Reset
A8	P1.5/ CLK32	I/O/OD	Internal1	Input	Input	Port 1.5 or LPM clock input (e.g. 32.768 kHz)
B1	P1.7/ WAKEUP_BT	I/O/OD	Internal1	PD/ Input	PD/ Input	Port 1.7 or Bluetooth wake-up signal
B2	P1.8/ WAKEUP_HOST	I/O/OD	Internal1	PD	PD	Port 1.8 or Host wake-up signal
B3	P1.0/ TMS	I/O/OD	Internal2	PU ¹⁾	PU ¹⁾	Port 1.0 or JTAG interface
B4	P1.4/ RTCK	I/O/OD	Internal2	Z	Z	Port 1.4 or JTAG interface
B5	ONOFF	I		-	-	Turns off module completely
B9	SLEEPX	I/O	VDDUART	PD	H	Sleep indication signal
C2	P0.9	I/O/OD	Internal2	Z	Z	Port 0.9
C3	JTAG#	I	Internal2	PU	PU	Mode selection Port 1: 0: JTAG 1: Port
C4	TRST#	I	Internal2	PD	PD	JTAG interface
D1	P0.10	I/O/OD	Internal2	Z	Z	Port 0.10
D2	P0.8	I/O/OD	Internal2	PD	PD	Port 0.8
D3	P1.1/ TCK	I/O/OD	Internal2	PU ¹⁾	PU ¹⁾	Port 1.1 or JTAG interface
D4	P0.3/ PCMOUT	I/O/OD	VDDPCM	Conf. PD def.	Conf. PD def.	Port 0.3 or PCM data out
D5	P0.2/ PCMIN	I/O/OD	VDDPCM	Z	Z	Port 0.2 or PCM data in
D9	ANTENNA	AI/AO		Inactive	Inactive	RF input/output single ended
E1	P0.12/ SDA0	I/O/OD	Internal2	PU	PU	Port 0.12 or I2C data signal
E2	P0.13/ SCL0	I/O/OD	Internal2	PU	PU	Port 0.13 or I2C clock signal
E3	P1.3/ TDO/ SLOT_STATE	I/O/OD	Internal2	Z	Z	Port 1.3 or JTAG interface or WLAN coexistence interface

Table 1 Pin Description

Pin No.	Symbol	Input / Output	Supply Voltage	During Reset	After Reset	Function
E4	P0.0/ PCMFR1	I/O/OD	VDDPCM	PD	PD	Port 0.0 or PCM frame signal 1
E5	P0.1/ PCMCLK	I/O/OD	VDDPCM	PD	PD	Port 0.1 or PCM clock
E6	P0.5/ UARTRXD	I/O/OD	VDDUART	Z	Z	Port 0.5 or UART receive data
F2	P1.2/ TDI/ RF_ACTIVE	I/O/OD	Internal2	PU ¹⁾	PU ¹⁾	Port 1.2 or JTAG interface or WLAN coexistence interface
F3	P0.11/ TX_CONF	I/O/OD	Internal2	Z	Z	Port 0.11 or WLAN coexistence interface
F4	P0.14/ TX_CONF	I/O	VDDUART	Z	Z	Port 0.14 or WLAN coexistence interface
F5	P0.7/ UARTCTS	I/O/OD	VDDUART	Z	Z	Port 0.7 or UART CTS flow control
F7	P0.4/ UARTTXD	I/O/OD	VDDUART	PU	PU	Port 0.4 or UART transmit data
F8	P0.6/ UARTRTS	I/O/OD	VDDUART	PU	PU	Port 0.6 or UART RTS flow control
A4, A5, A6	VSUPPLY	SI		-	-	Power supply
C1	VREG	SO		-	-	Regulated Power supply
F6	VDDUART	SI		-	-	UART interface Power supply
C5	VDDPCM	SI		-	-	PCM interface Power supply
A1, A7, A9, C8, C9, D7, D8, E8, E9, F1, F9	VSS			-	-	Ground

1) Fixed pull-up/pull-down if JTAG interface is selected, not affected by any chip reset. If JTAG interface is not selected the port is tristate.

Descriptions of acronyms used in the pin list:

Acronym	Description
I	Input
O	Output
OD	Output with open drain capability
Z	Tristate
PU	Pull-up
PD	Pull-down
A	Analog (e.g. AI means analog input)
S	Supply (e.g. SO means supply output)

1.5 System Integration

PAN1310-HCI is optimized for a low bill of material (BOM) and a small PCB size. [Figure 3](#) shows a typical application example.

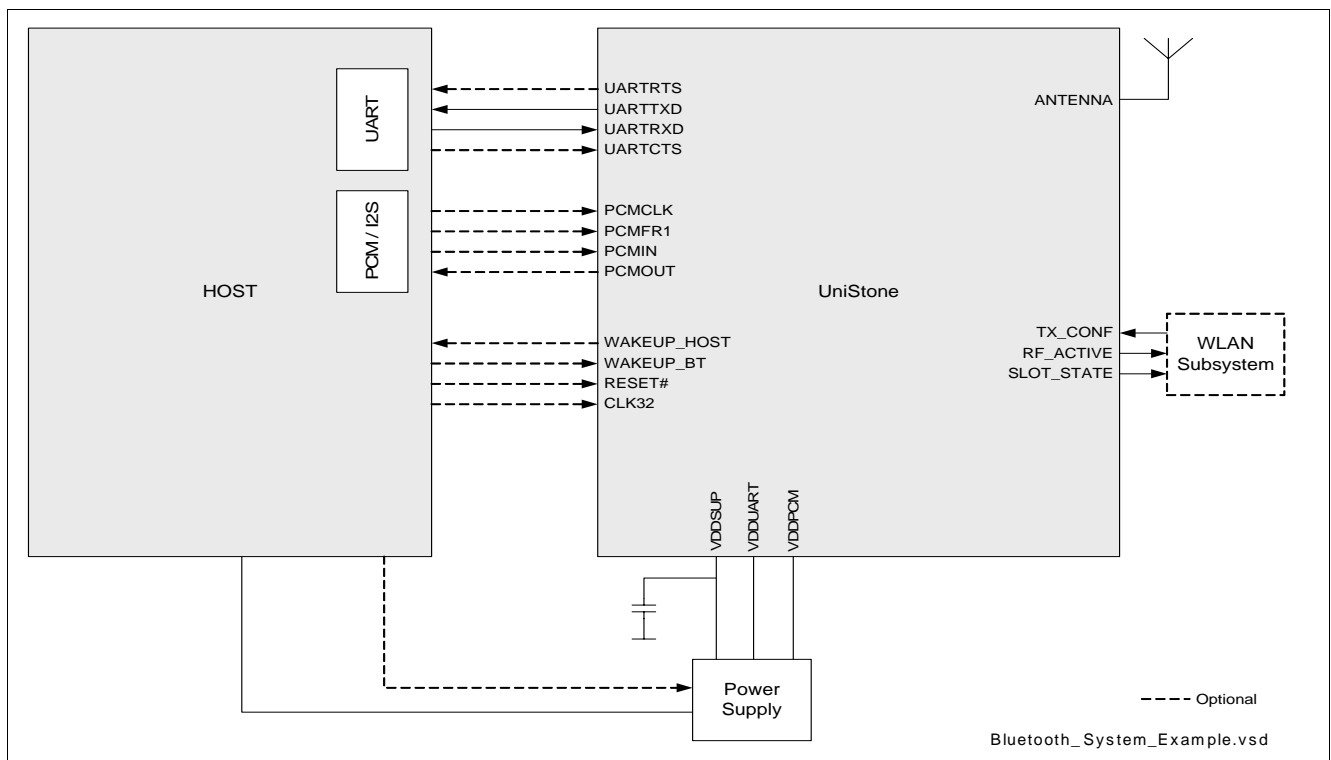


Figure 3 Example of a Bluetooth System

The UART interface is used for Bluetooth HCI communication between the host and PAN1310-HCI. When the HCI UART transport layer is used, four interface lines are needed: two for data (UARTTXD and UARTRXD) and two for hardware flow control (UARTRTS and UARTCTS). When the HCI Three-Wire UART transport layer is used the hardware flow control lines are optional. In addition to the standard Bluetooth HCI commands, PAN1310-HCI supports a set of Infineon specific commands called HCI+.

Digital audio can either be sent over the HCI interface or over the dedicated PCM/I2S interface. The PCM/I2S interface is highly configurable.

Low power mode control of PAN1310-HCI and the host can be implemented in different ways, either using the dedicated WAKEUP_HOST and WAKEUP_BT signals or using signaling over the HCI interface. The host can reset PAN1310-HCI via the RESET# signal.

A low power clock can be connected to CLK32 or generated internally by a low power oscillator. Power is supplied to a single VSUPPLY input from which internal regulators can generate all required voltages. The UART and the PCM interfaces have separate supply voltages so that they can comply with host signaling.

If a WLAN subsystem is collocated with PAN1310-HCI the WLAN coexistence interface should be used to enhance Bluetooth and WLAN performance. To coexist with external WLAN devices PAN1310-HCI supports adaptive frequency hopping.

1.6 FW version

PAN1310-HCI is available in different versions. Please check corresponding release documents for latest information.

2 Basic Operating Information

2.1 Power Supply

PAN1310-HCI is supplied from a single supply voltage VSUPPLY. This supply voltage must always be present. The PAN1310-HCI chip is supplied from an internally generated 2.5 V supply voltage. This voltage can be accessed from the VREG pin. This voltage may not be used for supplying other components in the host system but can be used for referencing the host interfaces.

The PCM interface and the UART interface are supplied with dedicated, independent, reference levels via the VDDPCM and VDDUART pins. All other digital I/O pins are supplied internally by either 2.5 V (Internal2) or 1.5 V(Internal1). [Section 1.4](#) provides a mapping between pins and supply voltages.

The I/O power domains (VDDPCM and VDDUART) are completely separated from the other power domains and can stay present also in low power modes.

2.2 Clocking

PAN1310-HCI has one clock input CLK32 that is optional. If used this 32.768 kHz clock must always be present to assist PAN1310-HCI to keep the time in low power modes.

The low power clock can be generated internally by the crystal oscillator and/or the low power oscillator or provided externally.

3 Interfaces

3.1 HCI / UART Interface

The HCI/UART interface is the main communication interface between the host and PAN1310-HCI. The standard HCI commands are supported together with an Infineon-specific set of commands called HCI+.

The interface consists of four UART signals and two wake-up signals as shown in **Figure 4**. Depending on which HCI transport layer that is used, some or all of the signals are needed.

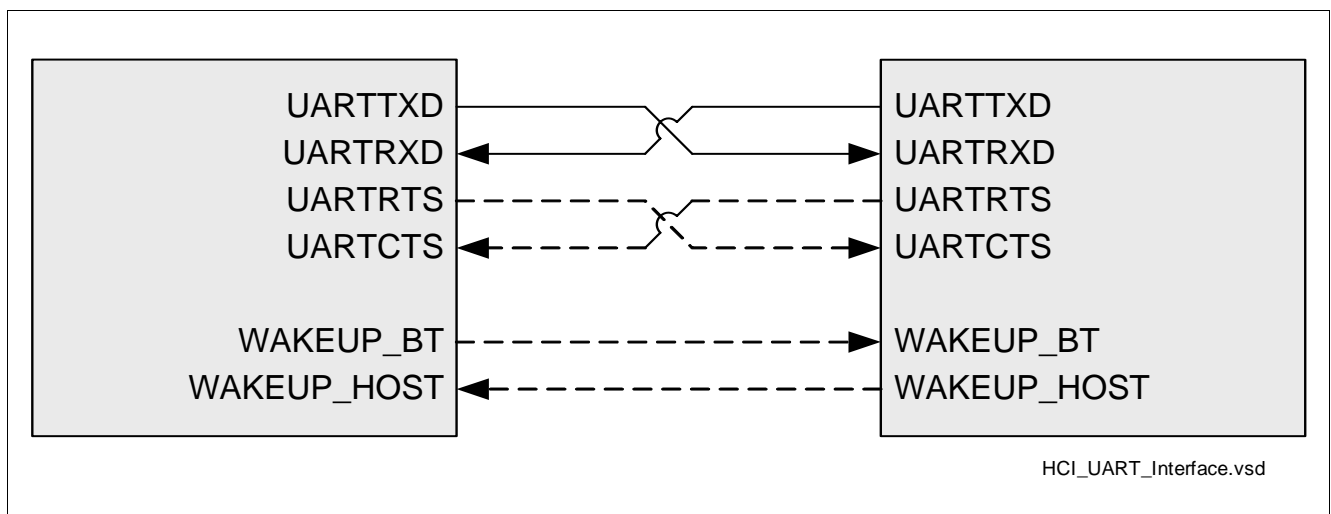


Figure 4 HCI/UART Interface

3.1.1 Supported Transport Layers

PAN1310-HCI supports the HCI Three-Wire UART transport layer and two derivatives of the HCI UART transport layer (HCI UART-4W and HCI UART-6W) where the only difference is how low power modes are handled. PAN1310-HCI automatically detects which transport layer that is used by the host.

3.1.2 UART

The on-chip UART (Universal Asynchronous Receiver and Transmitter) is compatible with standard UARTs and is optimized for Bluetooth communication. Hardware support for SLIP¹⁾ framing and 16-bit CRC calculation enhances performance with the HCI Three-Wire UART transport layer. A separate supply voltage, VDDUART, makes it easy to connect the UART interface to any system.

3.1.2.1 Baud Rates

The supported baud rates are listed in **Table 2** together with the small deviation error that results from the internal clock generation. The default baud rate is 115200 Baud.

Table 2 UART Baud Rates

Wanted Baud Rate	Real Baud Rate	Deviation Error (%)
9600	9615	0.16
19200	19230	0.16

1) See <http://www.ietf.org/rfc/rfc1055.txt> for information about SLIP.

Table 2 **UART Baud Rates (cont'd)**

Wanted Baud Rate	Real Baud Rate	Deviation Error (%)
38400	38461	0.16
57600	57522	-0.14
115200	115044	-0.14
230400	230088	-0.14
460800	464285	0.76
921600	928571	0.76
1843200	1857142	0.76
3250000	3250000	0

CONFIDENTIAL

3.2 PCM Interface

The PCM interface is used to exchange synchronous data (usually audio) between PAN1310-HCI and the host as well as to connect e.g. an external audio codec or an external DSP to PAN1310-HCI. It can be configured as an industry standard PCM interface supporting long and short frame synchronization, as an I2S interface or as an IOM-2 interface in terminal mode with reduced capabilities.

The main features of the PCM interface are:

- Two bidirectional PCM channels
- Separate supply voltage (VDDPCM) for easy interfacing to other systems
- Support of 16-bit linear samples and 8-bit A-law/ μ -law compressed samples as defined in the Bluetooth specification
- 8 x 32-bit FIFOs for each channel
- Programmable frame length
- Programmable frame signal length
- Programmable channel start positions
- Programmable idle level on PCMOOUT
- Programmable low-power/inactive levels on all PCM pins
- Data word LSB justified or MSB justified with respect to frame signal
- Clock master/slave mode
- Frame master/slave mode
- Fractional divider for PCM clock generation

3.2.1 Overview

The PCM interface consists of five signals as shown in **Figure 5** below.

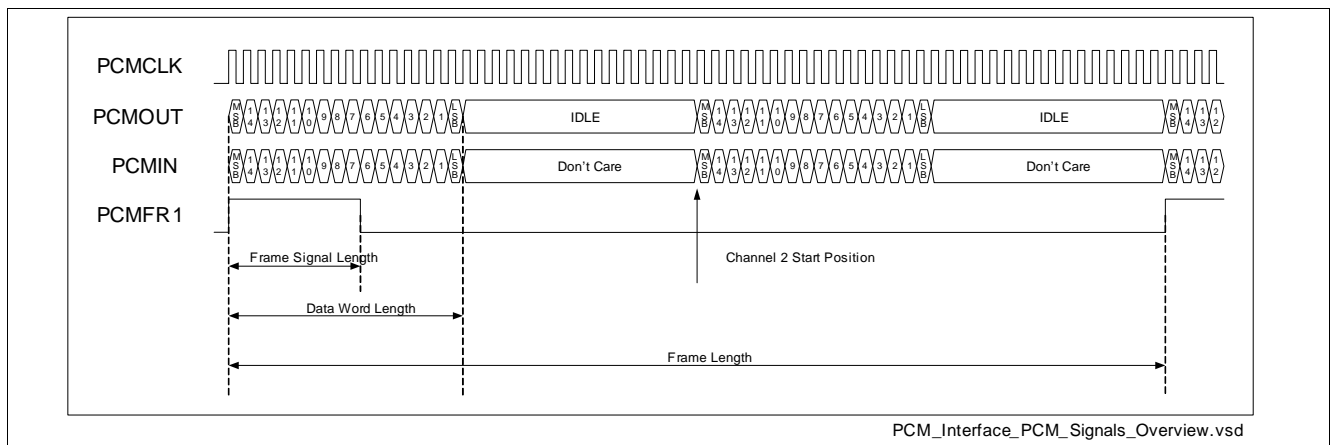


Figure 5 PCM_Signals_Overview

The clock signal PCMCLK is the timing base for the other signals in the PCM interface. In **clock master mode**, PAN1310-HCI generates PCMCLK from the internal system clock using a fractional divider. In **clock slave mode** PCMCLK is an input to PAN1310-HCI and has to be supplied by an external source. The maximum PCMCLK frequency (in both modes) is 1/8 of the internal system clock frequency.

The PCM interface supports up to two bidirectional channels. Data is transmitted on PCMOOUT and received on PCMIN, always with the most significant bit first. 16-bit linear audio samples and 8-bit A-law or μ -law compressed audio samples are supported.

The samples are organized in frames such that each frame contains one sample in each direction of each active channel. The frame rate (i.e. sample rate) is controlled by the PCMCLK frequency and the programmable **Frame Length**. In the firmware the sample rate has been fixed to 8 kHz. This means that the PCMCLK frequency can be calculated from Frame Length and does not have to be specified.

CONFIDENTIAL

Each channel has its own frame signal (PCMFR1/PCMFR2) that indicates where in the frame the channel starts. The **Frame Signal Length** is programmable. The start position of PCMFR2 in the frame is also programmable (Channel 2 Start Position). PCMFR1 always starts at the beginning of the frame.

In **frame master mode**, PAN1310-HCI generates PCMFR1 and PCMFR2. In **frame slave mode** the signal PCMFR1 is an input to PAN1310-HCI and has to be supplied externally. PCMFR2 is still generated by PAN1310-HCI. When only one channel is used PCMFR2 can be switched off with the HCI command `HCI_Infineon_Write_PCM_Mode`.

In PAN1310-HCI the second PCM channel cannot be used. The on-module bluetooth controller can handle two PCM channels but due to restrictions in the controller pinout the second PCM channel cannot be supported when using EEPROM.

CONFIDENTIAL

3.3 WLAN Coexistence Interface

PAN1310-HCI has a WLAN coexistence interface that is based on the IEEE 802.15.2 Packet Traffic Arbitration (PTA) scheme¹⁾. The interface prevents interference between collocated WLAN and Bluetooth devices by not letting the two devices transmit and/or receive at the same time. WLAN packets and Bluetooth packets are assigned priorities, and a control unit decides on a per-packet basis which of the devices that should be allowed to operate.

The interface uses three wires as shown in [Figure 6](#).

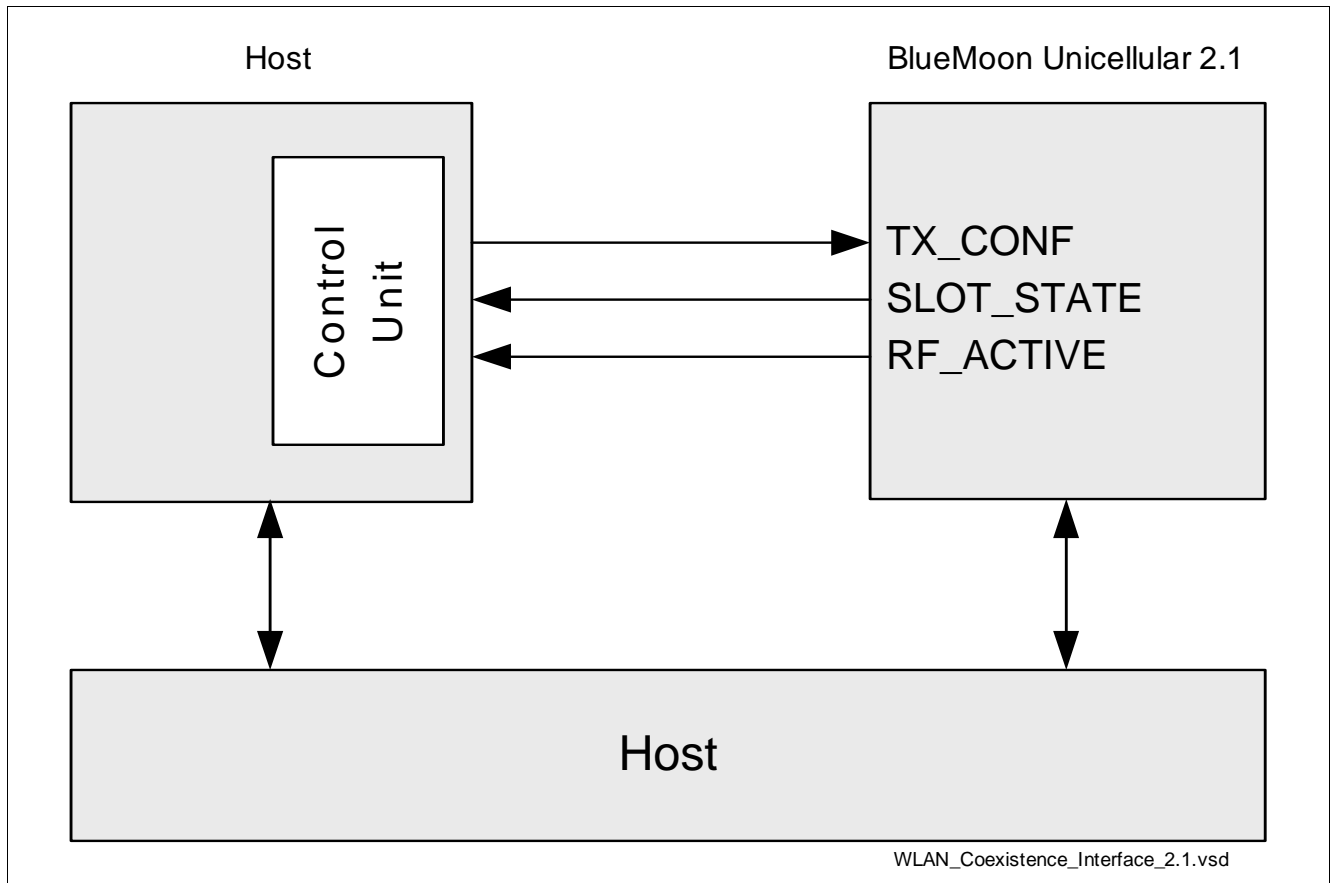


Figure 6 WLAN Coexistence Interface

1) "802.15.2: Coexistence of Wireless Personal Area Networks with other Wireless Devices Operating in Unlicensed Frequency Bands", IEEE, 28 August 2003

4 General Device Capabilities

4.1 HCI+ and Bluetooth Device Data (BD_DATA)

In addition to the standard Bluetooth HCI commands and events, PAN1310-HCI supports a set of Infineon-specific commands and events called HCI+. All Infineon-specific features are accessed using HCI+.

All configuration information that is critical for correct operation of PAN1310-HCI is called Bluetooth Device Data (BD_DATA). This data is stored in the module's EEPROM and is initialized during module manufacturing. BD_DATA can be read and written with the HCI+ commands `Infineon_Read_BD_Data` and `Infineon_Write_BD_Data`.

Note: Each PAN1310-HCI module is delivered with a unique Bluetooth device address in its BD_DATA. This information should not be changed!

4.2 Manufacturer Mode

HCI+ commands that modify critical information are not available during normal operation. To access these commands the host must first tell PAN1310-HCI to enter manufacturer mode with the `Infineon_Manufacturer_Mode` command.

Operations that are only allowed in manufacturer mode are for example:

- Changing the Baud rate with `Infineon_Set_UART_Baudrate`.
- Accessing Bluetooth Device Data (BD_DATA) with any of the following commands:
`Infineon_Write_BD_Data`, `Infineon_Read_BD_Data`,
`Infineon_Write_Ext_EEPROM_Data`, `Infineon_Read_Ext_EEPROM_Data`.
- Accessing internal memory and registers with
`Infineon_Memory_Write` and `Infineon_Memory_Read`.

It is necessary to leave manufacturer mode before start of normal operation. Leaving manufacturer mode is done with the `Infineon_Manufacturer_Mode` command.

4.3 Firmware ROM Patching

4.3.1 Patch Support

PAN1310-HCI contains dedicated hardware that makes it possible to apply patches to any code and data in the firmware ROM. The hardware is capable of replacing up to 32 blocks of 16 bytes each with new content. In addition to this, an 8 kByte area of the firmware RAM has been reserved for patches. This area can be filled with any combination of code and data.

5 Bluetooth Capabilities

5.1 Supported Features

PAN1310-HCI supports all new core features in the Bluetooth 2.1 + EDR specification, including:

- Enhanced Data Rate up to 3 Mbit/s
- Adaptive Frequency Hopping (AFH)
- All packet types
- All LMP features except those related to the features listed in [Chapter 5.2](#)
- Authentication, Pairing and Encryption
- Secure Simple Pairing
- Sniff Subrating
- Extended Inquiry Response
- Quality of Service
- Channel Quality Driven Data Rate change
- Sniff, Hold
- Role Switch
- RSSI and Power Control
- Power class 2 and 3
- 7 point-to-multipoint connections
- Scatternet with two slave roles while still being discoverable
- 2 synchronous links (SCO/eSCO)
- A-law, μ -law, CVSD and transparent synchronous data
- Dual SCO/eSCO channels in scatternet

5.2 Not-supported Features

- Park State
- Master Link Key
- Broadcast

5.3 PAN1310-HCI Specifics and Extensions

5.3.1 During Connection

5.3.1.1 Scatternet and Piconet Capabilities

PAN1310-HCI supports point-to-multipoint and scatternet scenarios:

- Up to 7 links
- Up to 2 simultaneous slave roles
- Always capable of responding to inquiry and remote name request
- Always capable of Inquiry

5.3.1.2 Role Switch

Only one role switch can be performed at a time. If a role switch request is pending, other role switch requests on the same or other links are rejected. If a role switch fails, PAN1310-HCI will automatically try again a maximum of three times. Encryption (if present) is stopped in the old piconet before a role switch is performed and re-enabled when the role switch has succeeded or failed. If the Bluetooth 2.1 introduced feature “pause encryption” is enabled in PAN1310-HCI and supported in the remote device, the the encryption will instead be paused before the role switch and resumed after the role switch which leads to an atomic encryption of data throughout the role switch. If the physical link is in Sniff Mode or Hold Mode, or has any synchronous logical transports, a role switch will not be performed.

5.3.1.3 Dynamic Polling Strategy

In addition to the regular polling scheme, PAN1310-HCI dynamically assigns unused slots to links where data is exchanged. This adapts very well to bursty traffic and improves throughput and latency on the links.

5.3.1.4 Adaptive Frequency Hopping (AFH)

PAN1310-HCI supports adaptive frequency hopping according to the Bluetooth 2.1 + EDR specification. AFH switch and channel classification are supported both as master and slave. Channel classification from the host is also supported.

A number of HCI+ commands and events are available to provide information about AFH operation. The commands `Infineon_Enable_AFH_Info_Sending` and `Infineon_Disable_AFH_Info_Sending` turn on and off the `Infineon_AFH_Info` events that provide detailed information about channel classification, channel maps, interferers, etc.

If enabled by the `Infineon_Enable_Infineon_Events` command, the `Infineon_AFH_Extraordinary_RSSI` event informs the host whenever extraordinary RSSI measurements in unused slots have been started. This is done when the number of known good channels has decreased below a critical limit and periodically after a defined time. The `Infineon_Set_AFH_Measurement_Period` command can be used to configure the duration of the AFH measurement period.

5.3.1.5 Channel Quality Driven Data Rate Change (CQDDR)

PAN1310-HCI supports channel quality driven data rate change according to the Bluetooth 2.1 + EDR specification. A device that receives an `LMP_preferred_rate` message is not required to follow all recommendations. PAN1310-HCI normally at least follows the recommendation whether to use forward error correction (FEC) or not. If possible, recommendations about packet size and modulation scheme will be taken into account. When PAN1310-HCI sends an `LMP_preferred_rate` to another device the proposal always includes preferences for all parameters.

The HCI+ commands `Infineon_Enable_CQDDR_Info_Sending` and `Infineon_Disable_CQDDR_Info_Sending` turn on and off sending of the `Infineon_CQDDR_Info` event. This event provides information to the host every time a new CQDDR proposal is sent to a remote device.

The link keys are stored in the module's EEPROM.

5.3.2 Synchronous Links

PAN1310-HCI supports up to two simultaneous synchronous links (SCO/eSCO).

5.3.2.1 Interface

The interface for synchronous data is either the HCI transport layer or the dedicated PCM/I2S interface. The choice of interface for a synchronous connection is done with the HCI+ command

Infineon_Config_Synchronous_Interface and must be done before the connection is established. The default interface is configurable via the bit Default_SCO_interface in the BD_DATA parameter BB_Conf.

All details about the PCM/I2S interface are described in [Section 3.2](#).

5.3.2.2 Voice Coding

Table 3 shows the supported values of the Bluetooth parameter Voice_Settings.

Table 3 Supported Voice Settings

Parameter	Supported Values
Input Coding	Linear (PCM/I2S only), μ -law, A-law
Input Data Format	2's complement
Input Sample Size	16-bit (only relevant for linear input coding)
Air Coding Format	CVSD, μ -law, A-law, Transparent Data
Linear_PCM_Bit_Pos	Not used. Please see the parameter Channel_Pos in the Infineon_Write_PCM_Mode command for similar functionality.

PAN1310-HCI supports transcoding between any combination of linear, μ -law and A-law. If the air coding format is "Transparent Data" and the synchronous interface is the transport layer, the input coding is ignored. If transparent data is sent through the PCM/I2S interface, the input coding determines if 8-bit or 16-bit samples are used. Transparent Data is the only setting for which data rates other than 64 kbit/s can be used.

5.3.3 RSSI and Output Power Control

5.3.3.1 Received Signal Strength Indication (RSSI)

PAN1310-HCI supports received signal strength measurements and uses LMP signaling to keep the output power of a remote device within the golden receive power range. The range is set with the BD_DATA parameters RSSI_Min and RSSI_Max.

5.3.3.2 Output Power Control

PAN1310-HCI supports power control according to the Bluetooth 2.1+EDR specification.

- The output power can be controlled in up to 4 configurable steps. PAN1310-HCI can work as a class 2 or 3 device, depending on the settings.
- Fine tuning can be used on the power steps.
- A default sub-state power step can be set

The power step configuration is set through BD_DATA parameters.

The Inquiry output power can be programmed with the Write Inquiry Transmit Power Level command introduced in the 2.1 Bluetooth Core specification.

5.3.3.3 Ultra Low Transmit Power

For high security devices the output power can be reduced to a value that reduces the communication range to a few inches. This mode is enabled with the HCI+ command Infineon_TX_Power_Config.

6 Electrical Characteristics

6.1 Absolute Maximum Ratings

Table 4 Absolute Maximum Ratings

Parameter	Symbol	Values			Unit	Note / Test Condition
		Min.	Typ.	Max.		
Storage temperature		-40	–	125	°C	–
VSUPPLY supply voltage		-0.3	–	6.0	V	–
VDDUART supply voltage		-0.9	–	4.0	V	–
VDDPCM supply voltage		-0.9	–	4.0	V	–
VREG		-0.3	–	4.0	V	VSUPPLY > 4 V
VREG		-0.3	–	VSUPPLY	V	VSUPPLY < 4 V
ONOFF		-0.3	–	VSUPPLY+0.3	V	
Input voltage range		-0.9	–	4.0	V	–
Output voltage range		-0.9	–	4.0	V	-9
ESD		–	–	1.0	kV	According to MIL-STD883D method 3015.7

Note: Stresses above those listed here are likely to cause permanent damage to the device. Exposure to absolute maximum rating conditions for extended periods may affect device reliability.

Maximum ratings are absolute ratings; exceeding only one of these values may cause irreversible damage to the integrated circuit.

Maximum ratings are not operating conditions.

6.2 Operating Conditions

Table 5 Operating Conditions

Parameter	Symbol	Values			Unit	Note / Test Condition
		Min.	Typ.	Max.		
Operating temperature		-40	–	85	°C	–
Main supply voltage (Vsupply)		2.9	–	4.1	V	–
VDDUART		1.35	–	3.6	V	–
VDDPCM		1.35	–	3.6	V	–

6.3 DC Characteristics

6.3.1 Pad Driver and Input Stages

For more information, see [Chapter 1.4](#).

Table 6 Internal1 (1.5 V) Supplied Pins

Parameter	Symbol	Values			Unit	Note / Test Condition
		Min.	Typ.	Max.		
Input low voltage		-0.3	–	0.27	V	–
Input high voltage		1.15	–	3.6	V	–
Output low voltage		–	–	0.25	V	IOL = 1 mA
Output high voltage		1.1	–	–	V	IOH = -1 mA
Continuous Load ¹⁾		–	–	1	mA	–
Pin Capacitance		–	–	10	pF	–
Magnitude Pin Leakage		–	0.01	1	μA	Input and output drivers disabled

1) The totaled continuous load for all Internal1 supplied pins shall not exceed 2mA at the same time

Table 7 Internal2 (2.5 V) Supplied Pins

Parameter	Symbol	Values			Unit	Note / Test Condition
		Min.	Typ.	Max.		
Input low voltage		-0.3	–	0.45	V	–
Input high voltage		1.93	–	2.8	V	P0.10
Input high voltage		1.93	–	3.6	V	Other pins
Output low voltage		–	–	0.25	V	IOL = 5 mA
Output low voltage		–	–	0.15	V	IOL = 2 mA
Output high voltage		2.0	–	–	V	IOH = -5 mA
Output high voltage		2.1	–	–	V	IOH = -2 mA
Continuous Load ¹⁾		–	–	5	mA	–
Pin Capacitance		–	–	10	pF	–
Magnitude Pin Leakage		–	0.01	1	μA	Input and output drivers disabled

1) The totaled continuous load for all Internal2 supplied pins shall not exceed 35 mA at the same time

Table 8 VDDUART Supplied Pins

Parameter	Symbol	Values			Unit	Note / Test Condition
		Min.	Typ.	Max.		
Input low voltage		-0.3	–	0.2*VDDUART	V	–
Input high voltage		0.7*VDDUART	–	VDDUART+0.3	V	P0.5/UARTRXD
Input high voltage		0.7*VDDUART	–	3.6	V	Other pins

Table 8 VDDUART Supplied Pins (cont'd)

Parameter	Symbol	Values			Unit	Note / Test Condition
		Min.	Typ.	Max.		
Output low voltage		–	–	0.25	V	IOL = 5 mA VDDUART = 2.5 V
Output low voltage		–	–	0.15	V	IOL = 2 mA VDDUART = 2.5 V
Output high voltage		VDDUART -0.25	–	–	V	IOH = -5 mA VDDUART = 2.5 V
Output high voltage		VDDUART -0.15	–	–	V	IOH = -2 mA VDDUART = 2.5 V
Continuous Load ¹⁾		–	–	5	mA	–
Pin Capacitance		–	–	10	pF	–
Magnitude Pin Leakage		–	0.01	1	μA	Input and output drivers disabled

1) The totaled continuous load for all VDDUART supplied pins shall not exceed 35 mA at the same time

Table 9 VDDPCM Supplied Pins

Parameter	Symbol	Values			Unit	Note / Test Condition
		Min.	Typ.	Max.		
Input low voltage		-0.3	–	0.2*VDDPCM	V	–
Input high voltage		0.7*VDDPCM	–	3.6	V	–
Output low voltage		–	–	0.25	V	IOL = 5 mA VDDPCM = 2.5 V
Output low voltage		–	–	0.15	V	IOL = 2 mA VDDPCM = 2.5 V
Output high voltage		VDDPCM -0.25	–	–	V	IOH = -5 mA VDDPCM = 2.5 V
Output high voltage		VDDPCM -0.15	–	–	V	IOH = -2 mA VDDPCM = 2.5 V
Continuous Load ¹⁾		–	–	5	mA	–
Pin Capacitance		–	–	10	pF	–
Magnitude Pin Leakage		–	0.01	1	μA	Input and output drivers disabled

1) The totaled continuous load for all VDDPCM supplied pins shall not exceed 35 mA at the same time

Table 10 ONOFF PIN

Parameter	Symbol	Values			Unit	Note / Test Condition
		Min.	Typ.	Max.		
Input low voltage		–	–	0.7	V	–
Input high voltage		1.7	–	VSUPPLY	V	–
Input current		-1	0.01	1	μA	ONOFF = 0 V

6.3.2 Pull-ups and Pull-downs

Table 11 Pull-up and Pull-down Currents

Pin	Pull Up Current			Pull Down Current			Unit	Conditions
	Min.	Typ.	Max.	Min.	Typ.	Max.		
P0.12/SDA0, P0.13/SCL0	260	740	1300	N/A	N/A	N/A	μA	Pull-up current measured with pin voltage = 0 V
TRST#, JTAG#, P0.0/PCMFR1, P0.1/PCMCLK, P0.2/PCMIN, P0.3/PCMOUT	22	130	350	23	150	380	μA	Pull-down current measured with pin voltage = supply voltage
P0.4/UARTRXD, P0.5/UARTRXD, P0.6/UARTRTS, P0.7/UARTCTS, P0.10/PSEL1, P0.8/PAON, P0.9/PSEL0, P0.11/RXON, P0.14/TX_CONF, P0.15/SLEEPX	4.2	24	68	3.0	20	55	μA	Min measured at 125°C with supply = 1.35 V Typ. measured at 27°C with supply = 2.5V Max measured at -40°C with supply = 3.63 V
P1.0/TMS, P1.1/TCK, P1.2/TDI, P1.3/TDO, P1.4/RTCK, P1.5/CLK32, P1.6, P1.7/WAKEUP_BT, P1.8/WAKEUP_HOST,	1.1	6.0	17	0.75	5.0	14	μA	

6.3.3 Protection Circuits

All pins have an inverse protection diode against VSS.

P0.10 has an inverse diode against Internal2.

P0.5/UARTRXD has an inverse diode against VDDUART.

All other pins have no diode against their supply.

6.3.4 System Power Consumption

The following table shows the V_{supply} current consumption. All I/O currents are neglected since they depend mainly on the external load. $T = 25^{\circ}\text{C}$, Output Power = 0 dBm

Table 12 Current Consumption in Different Operating Modes

Parameter	Symbol	Values			Unit	Note / Test Condition
		Min.	Typ.	Max.		
Ultra Low Power Mode		–	170	–	μA	–
Page & Inquiry Scan (1.28 s)		–	1.1	–	mA	–
Sniff (1.28 s)		–	0.35	–	mA	–
ACL (Transmit DH1)		–	38	–	mA	Basic Rate, 179.2 kbit/s ¹⁾
ACL (Receive DH1)		–	35	–	mA	Basic Rate, 179.2 kbit/s
ACL (Transmit 2-DH1)		–	40	–	mA	Enhanced Data Rate, 358.4 kbit/s ¹⁾
ACL (Receive 2-DH1)		–	37	–	mA	Enhanced Data Rate, 358.4 kbit/s ¹⁾
ACL (Transmit 3-DH1)		–	40	–	mA	Enhanced Data Rate, 544.0 kbit/s ¹⁾
ACL (Receive 3-DH1)		–	37	–	mA	Enhanced Data Rate, 544.0 kbit/s ¹⁾
SCO (HV3)		–	19	–	mA	–
eSCO (Symmetric 64 kbit/s, EV3)		–	20	–	mA	–
eSCO (Symmetric 64 kbit/s, 2-EV3)		–	13	–	mA	Enhanced Data Rate
eSCO (Symmetric 64 kbit/s, 3-EV3)		–	11	–	mA	Enhanced Data Rate
eSCO (Symmetric 64 kbit/s, EV5)		–	14	–	mA	–
eSCO (Symmetric 64 kbit/s, 2-EV5)		–	10	–	mA	Enhanced Data Rate
eSCO (Symmetric 64 kbit/s, 3-EV5)		–	8.7	–	mA	Enhanced Data Rate

1) Figure indicates maximum possible data rate with this packet type

I/O currents are not included since they depend mainly on external loads.

Table 13 Max. Load at the Different Supply Voltages

Parameter	Symbol	Values			Unit	Note / Test Condition
		Min.	Typ.	Max.		
V_{supply}		–	–	100	mA	Peak current

6.4 AC Characteristics

Table 14 PCM Interface Timing

Parameter	Symbol	Values			Unit	Note / Test Condition
		Min.	Typ.	Max.		
PCMOUT delay from rising clock edge	t_{d1}	–	–	100	ns	
PCMFRy setup time to falling clock edge	t_{s1}	100 ¹⁾	–	–	ns	
PCMFRy hold time from falling clock edge	t_{h1}	100 ¹⁾	–	–	ns	

Table 14 PCM Interface Timing (cont'd)

Parameter	Symbol	Values			Unit	Note / Test Condition
		Min.	Typ.	Max.		
PCMIN setup time to falling clock edge	t_{s2}	50	–	–	ns	
PCMIN hold time from falling clock edge	t_{h2}	50	–	–	ns	

1) In frame slave mode

Table 15 Timing Characteristics of PCM Interface for the First Bit

Parameter	Symbol	Values			Unit	Note / Test Condition
		Min.	Typ.	Max.		
PCMOUT delay from PCMCLK or PCMFR1	t_{d1}	–	–	100	ns	
PCMFR1 delay from PCMCLK	t_{d2}	-0.25 T ¹⁾	–	+0.25 T	ns	

1) T is the PCMCLK period time

6.4.1 Characteristics of 32.768 kHz Clock Signal

The 32.768 kHz clock signal applied to CLK32 must be a rectangular waveform with a duty cycle of between 10% and 90%. The frequency accuracy must be better than 250 ppm. The rise and fall time of the signal must be less than 10 μ s.

6.5 RF Part

6.5.1 Characteristics RF Part

The characteristics involve the spread of values to be within the specific temperature range. Typical characteristics are the median of the production.

All values refers to Infineon reference design. All values will be updated after verification/Characterisation.

6.5.1.1 Bluetooth Related Specifications

Table 16 BDR - Transmitter Part

Parameter	Symbol	Values			Unit	Note / Test Condition
		Min.	Typ.	Max.		
Output power (high gain)		0.5	2.5	4.5	dBm	Default settings
Output power (highest gain)		–	4.5	–	dBm	Maximum settings
Power control step size		4	6	8	dB	–
Frequency range fL		2400	2401.3	–	MHz	–
Frequency range fH		–	2480.7	2483.5	MHz	–
20 dB bandwidth		–	0.930	1	MHz	–
2nd adjacent channel power		–	-40	-20	dBm	–
3rd adjacent channel power		–	-60	-40	dBm	–

Table 16 BDR - Transmitter Part (cont'd)

Parameter	Symbol	Values			Unit	Note / Test Condition
		Min.	Typ.	Max.		
>3rd adjacent channel power		–	-64	-40	dBm	Max. 2 of 3 exceptions @ 52 MHz offset might be used
Average modulation deviation for 00001111 sequence		140	156	175	kHz	–
Minimum modulation deviation for 01010101 sequence		115	145	–	kHz	–
Ratio Deviation 01010101 / Deviation 00001111		0.8	1	–		–
Initial carrier frequency tolerance foffset		–	–	75	kHz	–
Carrier frequency drift (one slot) fdrift		–	10	25	kHz	–
Carrier frequency drift (three slots) fdrift		–	10	40	kHz	–
Carrier frequency drift (five slots) fdrift		–	10	40	kHz	–
Carrier frequency driftrate (one slot) fdriftrate		–	5	20	kHz/50 ms	–
Carrier frequency driftrate (three slots) fdriftrate		–	5	20	kHz/50 ms	–
Carrier frequency driftrate (five slots) fdriftrate		–	5	20	kHz/50 ms	–

Table 17 BDR -Receiver Part

Parameter	Symbol	Values			Unit	Note / Test Condition
		Min.	Typ.	Max.		
Sensitivity		–	-86	-81	dBm	Ideal wanted signal
C/I-performance: -4th adjacent channel		–	-51	-40	dB	–
C/I-performance: -3rd adjacent channel (1st adj. of image)		–	-46	-20	dB	–
C/I-performance: -2nd adjacent channel (image)		–	-35	-9	dB	–
C/I-performance: -1st adjacent channel		–	-4	0	dB	–
C/I-performance: co. channel		–	9	11	dB	–
C/I-performance: +1st adjacent channel		–	-4	0	dB	–
C/I-performance: +2nd adjacent channel		–	-40	-30	dB	–

Table 17 BDR -Receiver Part (cont'd)

Parameter	Symbol	Values			Unit	Note / Test Condition
		Min.	Typ.	Max.		
C/I-performance: +3rd adjacent channel		-	-50	-40	dB	-
Blocking performance 30 MHz - 2 GHz		10	-	-	dBm	Some spurious responses, but according to BT-specification
Blocking performance 2 GHz - 2.4 GHz		-27	-	-	dBm	-
Blocking performance 2.5 GHz - 3 GHz		-27	-	-	dBm	-
Blocking performance 3 GHz - 12.75 GHz		10	-	-	dBm	Some spurious responses, but according to BT-specification
Intermodulation performance		-39	-34	-	dBm	Valid for all intermodulation tests
Maximum input level		-20	-	-	dBm	-

Table 18 EDR - Transmitter Part

Parameter	Symbol	Values			Unit	Note / Test Condition
		Min.	Typ.	Max.		
Output power (high gain)		-2.5	-	2	dBm	
Relative transmit power: PxPSK - PGFSK		-4	-0.6	1	dB	
Carrier frequency stability $ \omega_i $		-	-	75	kHz	-
Carrier frequency stability $ \omega_i + \omega_0 $		-	-	75	kHz	-
Carrier frequency stability $ \omega_0 $		-	2	10	kHz	-
DPSK - RMS DEVM		-	10	20	%	-
8DPSK - RMS DEVM		-	10	13	%	-
DPSK - Peak DEVM		-	20	35	%	-
8DPSK - Peak DEVM		-	20	25	%	-
DPSK - 99% DEVM		-	-	30	%	-
8DPSK - 99% DEVM		-	-	20	%	-
Differential phase encoding		99	100	-	%	-
1st adjacent channel power		-	-40	-26	dBc	-
2nd adjacent channel power		-	-	-20	dBm	Carrier power measured at basic rate
3rd adjacent channel power		-	-	-40	dBm	Carrier power measured at basic rate

Table 19 EDR -Receiver Part

Parameter	Symbol	Values			Unit	Note / Test Condition
		Min.	Typ.	Max.		
DQPSK-Sensitivity		–	-88	-83	dBm	Ideal wanted signal
8DPSK-Sensitivity		–	-83	-77	dBm	Ideal wanted signal
DQPSK - BER Floor Sensitivity		–	-84	-60	dBm	–
8DPSK - BER Floor Sensitivity		–	-79	-60	dBm	–
DQPSK - C/I-performance: -4th adjacent channel		–	-53	-40	dB	–
DQPSK - C/I-performance: -3rd adjacent channel (1st adj. of image)		–	-47	-20	dB	–
DQPSK - C/I-performance: -2nd adjacent channel (image)		–	-31	-7	dB	–
DQPSK - C/I-performance: -1st adjacent channel		–	-7	0	dB	–
DQPSK - C/I-performance: co. channel		–	11	13	dB	–
DQPSK - C/I-performance: +1st adjacent channel		–	-9	0	dB	–
DQPSK - C/I-performance: +2nd adjacent channel		–	-44	-30	dB	–
DQPSK - C/I-performance: +3rd adjacent channel		–	-50	-40	dB	–
8DPSK - C/I-performance: -4th adjacent channel		–	-48	-33	dB	–
8DPSK - C/I-performance: -3rd adjacent channel (1st adj. of image)		–	-44	-13	dB	–
8DPSK - C/I-performance: -2nd adjacent channel (image)		–	-25	0	dB	–
8DPSK - C/I-performance: -1st adjacent channel		–	-5	5	dB	–
8DPSK - C/I-performance: co. channel		–	17	21	dB	–
8DPSK - C/I-performance: +1st adjacent channel		–	-5	5	dB	–
8DPSK - C/I-performance: +2nd adjacent channel		–	-36	-25	dB	–
8DPSK - C/I-performance: +3rd adjacent channel		–	-46	-33	dB	–
Maximum input level		-20	–	–	dBm	–

7 Package Information

7.1 Package Marking

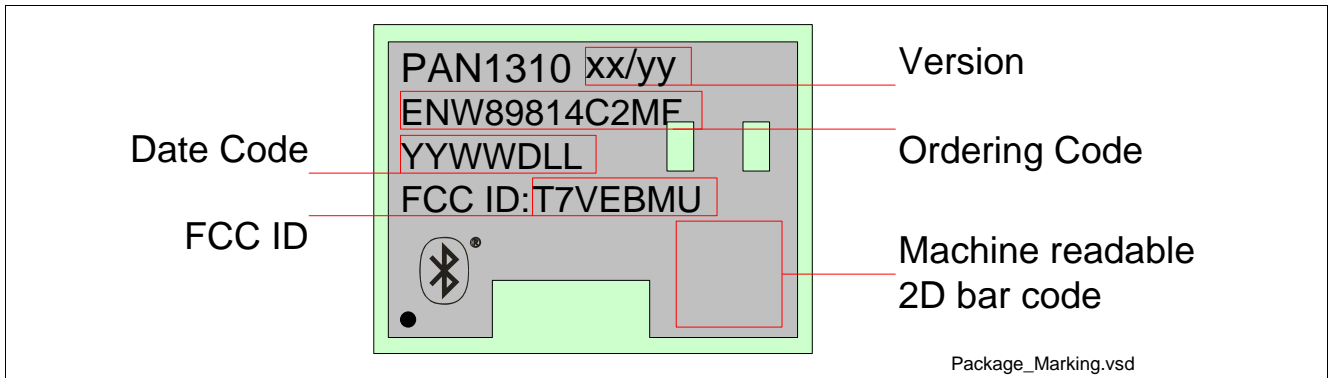


Figure 7 Package Marking

7.2 Production Package

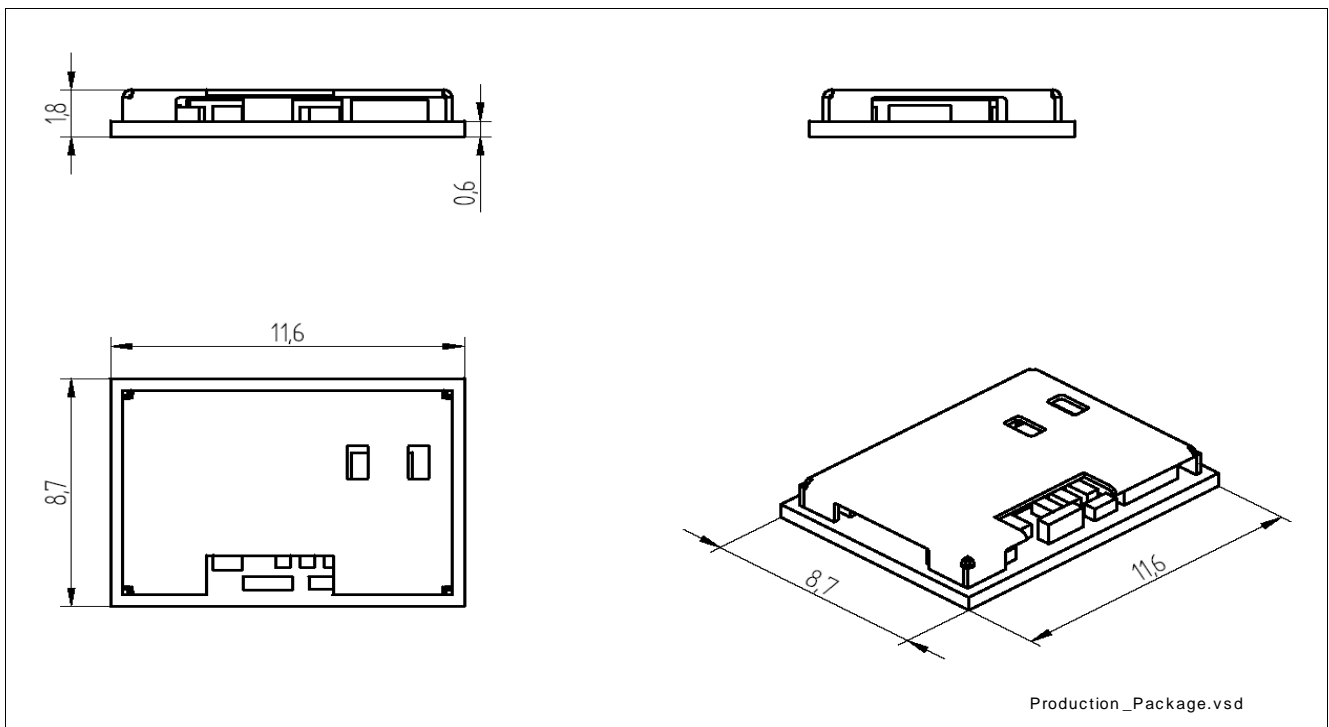


Figure 8 Production Package

All dimensions are in mm.

Tolerances on all outer dimensions, height, width and length, are +/- 0.2 mm.

7.2.1 Pin Mark

Pin 1 (A1) is marked on bottom footprint and on the top of the shield on the module according to [Figure 9](#). Diameter of pin 1 mark on the shield is 0.40 mm.

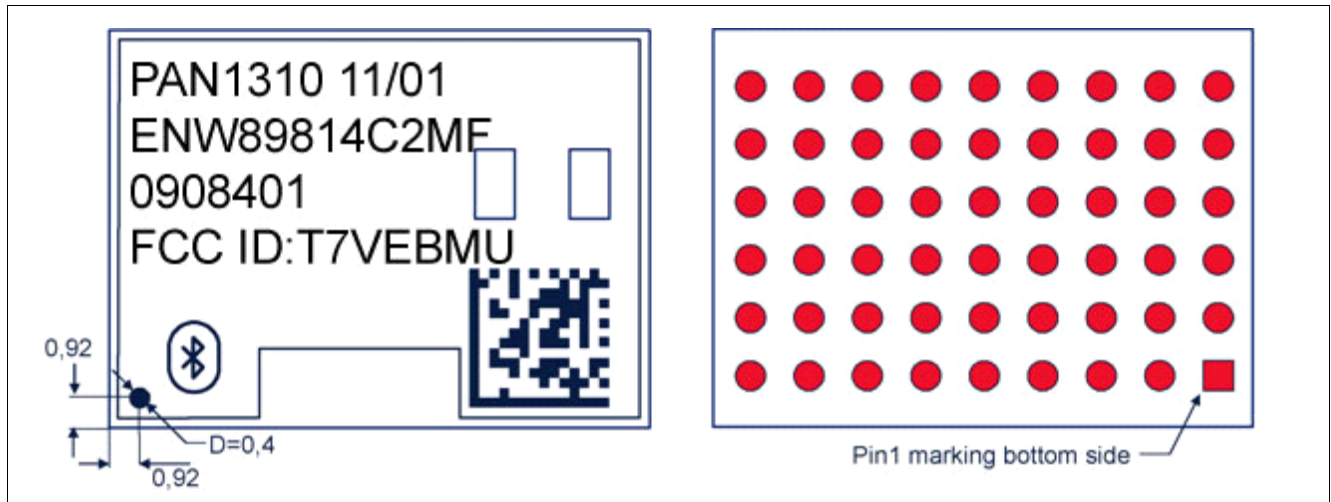


Figure 9 Top View and Bottom View

References

- [1] Panasonic User's Manual - Firmware Description (PAN1310_V11.01_UM_FD_Rev1.2.pdf)
- [2] Panasonic User's Manual - Hardware Description (PAN1310_V11.01_UM_HD_Rev1.2.pdf)
- [3] Infineon Generic Quality Specification for Mobile Phones
(Generic Quality Specification for Mobile Phones V2.0_2007-08-16.pdf)

Terminology

A

ACK	Acknowledgement
ACL	Asynchronous Connection-oriented (logical transport)
AFH	Adaptive Frequency Hopping
AHS	Adaptive Hop Sequence
ARQ	Automatic Repeat reQuest

B

b	bit/bits (e.g. kb/s)
B	Byte/Bytes (e.g. kB/s)
BALUN	BALanced UNbalanced
BD_ADDR	Bluetooth Device Address
BER	Bit Error Rate
BMU	BlueMoon Universal
BOM	Bill Of Material
BT	Bluetooth
BW	Bandwidth

C

CDCT	Clock Drift Compensation Task
CMOS	Complementary Metal Oxide Semiconductor
COD	Class Of Device
CODEC	COder/DECoder
CPU	Central Processing Unit
CQDDR	Channel Quality Driven Data Rate
CRC	Cyclic Redundancy Check
CTS	Clear To Send (UART flow control signal)
CVSD	Continuous Variable Slope Delta (modulation)

D

DC	Direct Current
DDC	Device Data Control
DH	Data High-Rate (packet type)
DM	Data Medium-Rate (packet type)
DMA	Direct Memory Access
DPSK	Differential Phase Shift Keying (modulation)
DQPSK	Differential Quaternary Phase Shift Keying (modulation)
DSP	Digital Signal Processor
DUT	Device Under Test

E

EDR	Enhanced Data Rate
-----	--------------------

EEPROM	Electrically Erasable Programmable Read Only Memory
eSCO	Extended Synchronous Connection-Oriented (logical transport)
EV	Extended Voice (packet type)
F	
FEC	Forward Error Correction
FHS	Frequency Hop Synchronization (packet)
FIFO	First In First Out (buffer)
FM	Frequency Modulation
FW	Firmware
G	
GFSK	Gaussian Frequency Shift Keying (modulation)
GPIO	General Purpose Input/Output
GSM	Global System for Mobile communication
H	
HCI	Host Controller Interface
HCI+	Infineon Specific HCI command set
HEC	Header Error Check
HV	High quality Voice (packet type)
HW	Hardware
I	
I2C	Inter-IC Control (bus)
I2S	Inter-IC Sound (bus)
IAC	Inquiry Access Code
ID	IDentifier
IEEE	Institute of Electrical and Electronics Engineers
IF	Intermediate Frequency
ISM	Industrial Scientific & Medical (frequency band)
J	
JTAG	Joint Test Action Group
L	
LAN	Local Area Network
LAP	Lower Address Part
LM	Link Manager
LMP	Link Manager Protocol
LNA	Low Noise Amplifier
LO	Local Oscillator
LPM	Low Power Mode(s)
LPO	Low Power Oscillator
LSB	Least Significant Bit/Byte
LT_ADDR	Logical Transport Address

M

MSB	Most Significant Bit/Byte
MSRS	Master-Slave Role Switch

N

NC	No Connection
NOP	No OPeration
NVM	Non-Volatile Memory

O

OCF	Opcode Command Field
OGF	Opcode Group Field

P

PA	Power Amplifier
PCB	Printed Circuit Board
PCM	Pulse Coded Modulation
PDU	Protocol Data Unit
PER	Packet Error Rate
PIN	Personal Identification Number
PLC	Packet Loss Concealment
PLL	Phase Locked Loop
PMU	Power Management Unit
POR	Power-On Reset
PTA	Packet Traffic Arbitration
PTT	Packet Type Table

Q

QoS	Quality Of Service
-----	--------------------

R

RAM	Random Access Memory
RF	Radio Frequency
ROM	Read Only Memory
RSSI	Received Signal Strength Indication
RTS	Request To Send (UART flow control signal)
RX	Receive
RXD	Receive Data (UART signal)

S

SCO	Synchronous Connection-Oriented (logical transport)
SIG	Special Interest Group (Bluetooth SIG)
SW	Software
SYRI	Synthesizer Reference Input

T

TBD	To Be Determined
-----	------------------

TCK	Test Clock (JTAG signal)
TDI	Test Data In (JTAG signal)
TDO	Test Data Out (JTAG signal)
TL	Transport Layer
TMS	Test Mode Select (JTAG signal)
TX	Transmit
TXD	Transmit Data (UART signal)
U	
UART	Universal Asynchronous Receiver & Transmitter
ULPM	Ultra Low Power Mode
V	
VCO	Voltage Controlled Oscillator
W	
WLAN	Wireless LAN (Local Area Network)

www.pedeu.panasonic.de

Published by Panasonic Electric Devices Europe GmbH